

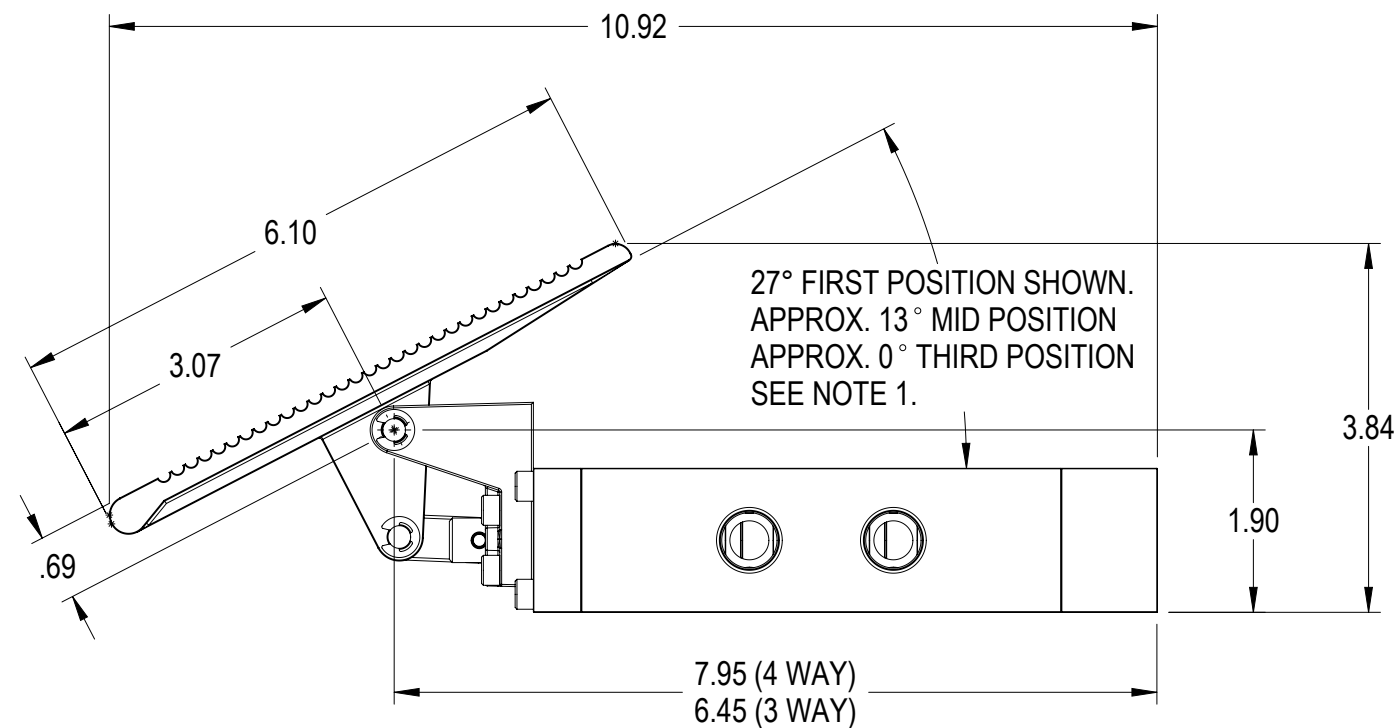
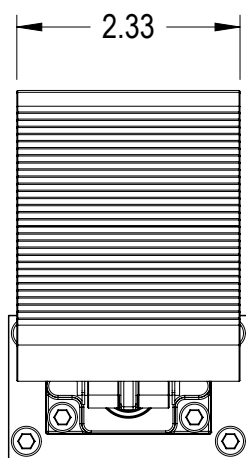
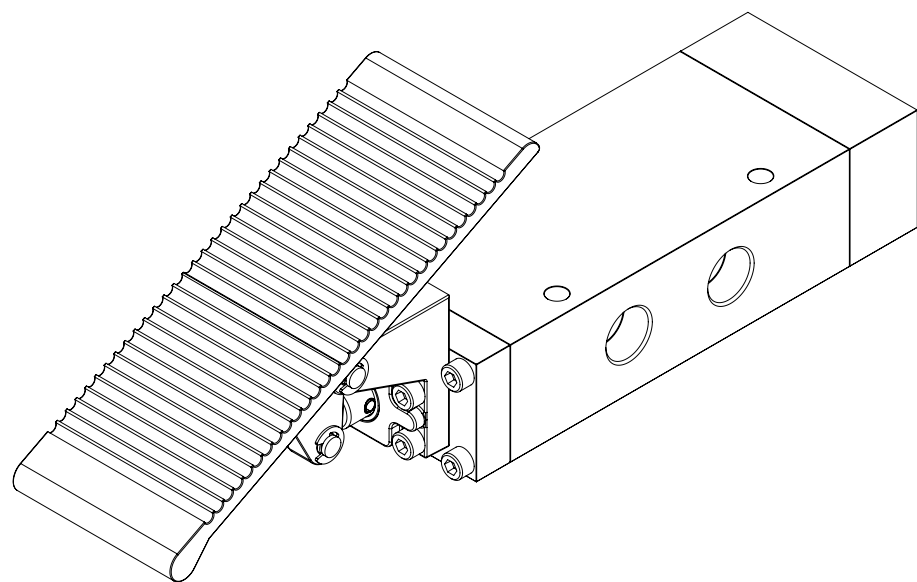
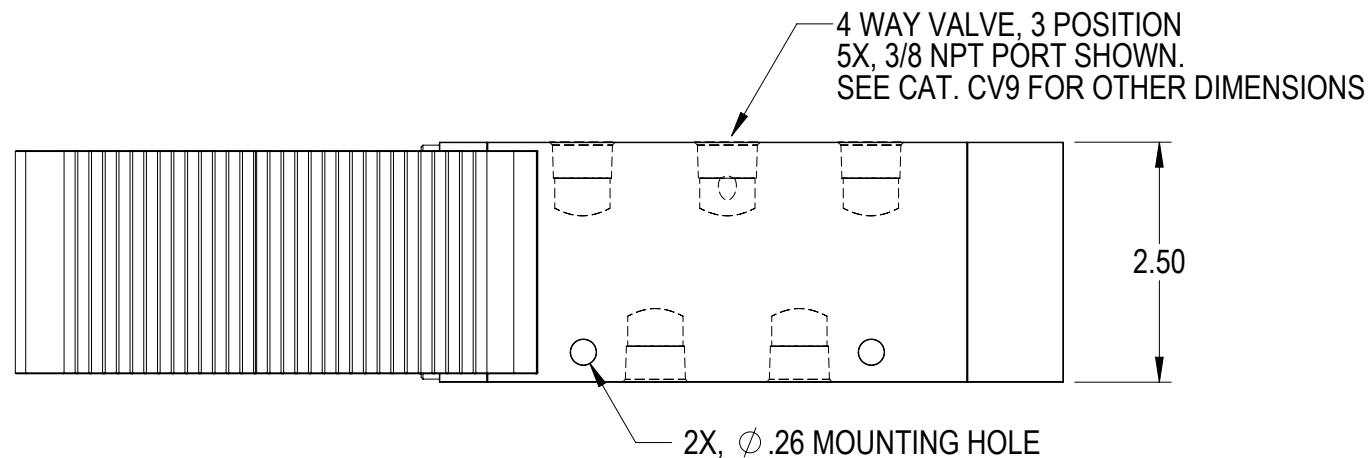
P/N

REV.	DESCRIPTION	INIT.	DATE
A	Up-dated pricing	JC	9/16/2019

Ⓐ

**FABCO FOOT TREADLE OPERATED DIRECTIONAL CONTROL VALVE
MODEL & PRICES (EFFECTIVE DATE Oct. 1, 2019)**

MODEL	3/8 NPT	1/2 NPT	1/2 NPT HIGH FLOW
2 POSITION 3 WAY SPRING RETURN	383-FTS \$240.30	123-FTS \$240.30	123B-FTS \$282.55
2 POSITION 4 WAY SPRING RETURN	38-FTS \$277.10	12-FTS \$277.10	12B-FTS \$347.45
3 POSITION 4 WAY SPRING CENTERED TYPE B SPOOL	38-FTSB \$301.60	12-FTSB \$301.60	N/A
3 POSITION 4 WAY SPRING CENTERED TYPE F SPOOL	38-FTSF \$301.60	12-FTSF \$301.60	N/A



NOTE:
2 POSITION VALVES USE FIRST & THIRD POSITION (27° RANGE).

FABCO-AIR
PHONE: (352) 373-3578
FAX: (352) 375-8024
E-MAIL: fabco@fabco-air.com

TITLE: FOOT TREADLE VALVE
MATERIAL:
FOR: FABCO POWER VALVE

MATERIAL:

PROPRIETARY AND CONFIDENTIAL

THE INFORMATION CONTAINED IN THIS DRAWING IS THE SOLE PROPERTY OF FABCO-AIR INC. ANY REPRODUCTION IN PART OR AS A WHOLE WITHOUT THE WRITTEN PERMISSION OF FABCO-AIR INC. IS PROHIBITED.

FILE NAME: 12-FTSB-OL-M-P

SIZE	SCALE	DATE
B	1:2	8/4/2011
DRAWN BY		MIKE SPITZE